

# ARL-5213PGC-18cd

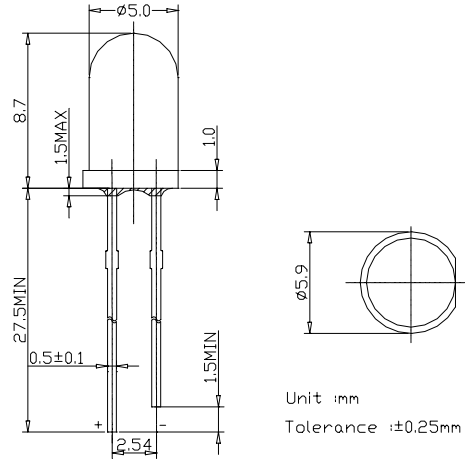
## ■Features

- High Power LEDs
- 5ø Standard Directivity
- Superior Weather-resistance
- UV Resistant Epoxy

## ■Applications

- Automotive Dashboard Lighting
- Back Lighting

## ■Outline Dimension

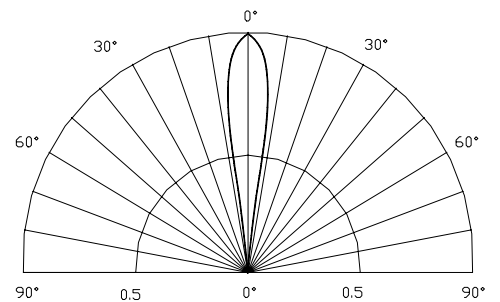


## ■Absolute Maximum Rating (Ta=25 °C)

Item	Symbol	Value	Unit
DC Forward Current	$I_F$	30	mA
Pulse Forward Current*	$I_{FP}$	100	mA
Reverse Voltage	$V_R$	5	V
Power Dissipation	$P_D$	120	mW
Operating Temperature	$T_{opr}$	-30 ~ +80	
Storage Temperature	$T_{stg}$	-30 ~ +100	
Lead Soldering Temperature	$T_{sol}$	260 /3sec	-

\*Pulse width Max.10ms Duty ratio max 1/10

## ■Directivity



## ■Electrical -Optical Characteristics (Ta=25 °C)

Item	Symbol	Condition	Min.	Typ.	Max.	Unit
DC Forward Voltage	$V_F$	$I_F=20$ mA	2.8	3.4	4.0	V
DC Reverse Current	$I_R$	$V_R=5$ V	-	-	30	$\mu$ A
Domi. Wavelength	$\lambda_D$	$I_F=20$ mA	520	525	530	nm
Luminous Intensity	$I_v$	$I_F=20$ mA	14400	18000	22000	mcd
50% Power Angle	$2\theta_{1/2}$	$I_F=20$ mA	-	15	-	deg